

VICON VICONNET



ViconNet Shadow Elite Nucleus Servers

Best-in-class Nucleus Server to ensure a reliable backbone for your ViconNet system

Powered by Dell and Intel Technology



Summary

The ViconNet Shadow Elite Nucleus Servers unite reliability, performance and convenience to create the perfect foundation for your ViconNet system. With top-of-the-line Dell components, these servers give you confidence that your system will perform even in the most challenging installations. They are available in two form factors - a small tower and a 1U rack-mount option - so they can adapt seamlessly to your surveillance operation.

Product at a Glance

- ▶ Available as SFF desktop or 1U rack-mount server
- ▶ Install quickly with ViconNet pre-installed
- ▶ Powered by best-in-class Dell and Intel technology
- ▶ Offers peace of mind with 5-year warranty with next business day, on-site support
- ▶ Safeguard your system with SafeBIOS, SafeID, TPM 2.0



Powered by Dell & Intel for Machines that Last

- Top-of-the-line components ensure long-lasting performance
- Future-proof your operation with the latest-gen technology



Installs in Minutes with Preloaded ViconNet Software

- ViconNet Nucleus preloaded for installation in minutes



Backed by a 5-Year Warranty and 24/7 Support

- Includes next business day on-site support
- Covers all components (including HDD)

Specifications (VICON-CERTIFIED HARDWARE)

Model	Small Form Factor NESA-SF000D-N00	Rack-Mount NESA-1U000D-N04
Operating System:	Microsoft® Windows® 11 Enterprise [†] IoT LTSC	
CPU/RAM:	Intel® Core® Ultra 5, 8 GB DDR5	Intel Xeon® 16 GB DDR5
OS Drive:	1x 256 GB SSD	480 GB SSD
Data Drives Configuration:	SATA	
Networking:	2x 1GbE RJ-45	2x 1 GbE; 1x RJ-45 iDRAC
Video:	Intel HD (3x DP*; 1x HDMI); supports quad 4K monitors	Nvidia® Quadro 4x mini-DP*; supports quad 4K monitors
Additional Rear Panel I/O:	4x USB 3.2 + 2x USB 2.0	1x USB 2.0; 1x USB 3.0; 1x Serial; 4x mini DP
Front Panel I/O:	1x USB 3.2 Type C + 1x USB 3.2 + 2x USB 2.0; 1x Headphone	1x USB; 1x Micro USB for iDRAC; Power Button; Status LEDs
Electrical		
Power Supply:	300 W	450 W
Typical Power Consumption:	200 W (650 BTU)	100 W (350 BTU)
Max. Power Consumption:	300 W (1000 BTU)	450 W (1500 BTU)
Mechanical		
Application:	Indoor	
Mounting:	Desktop	Rack mount; 1U
Dimensions (HxWxD):	11.95 in. (303.5 mm) x 3.74 in. (95.0 mm) x 11.54 in. (293.0 mm)	1.7 in. (42.8 mm) x 19 in. (483 mm) x 17.6 in. (448.6 mm) (with bezel)
Weight:	14.51 lb (6.58 kg)	21.18 lb (9.61 kg)
Construction:	Steel and plastic	
Environmental		
Operating Temperature:	50° to 113°F (10° to 45°C)	50° to 95° F (10° to 35° C)
Humidity:	20 to 80% relative, non-condensing	5 to 95% relative, non-condensing
Country of Origin:	Mexico	

[†]Windows 11 supplied with units shipped after October 2024. *DP to HDMI adapters included.

Ordering Information Scheme

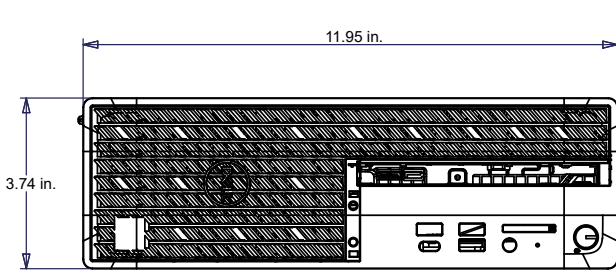
Model	Mounting Type	HDD Storage	Model Number
Nucleus Server preloaded with ViconNet Nucleus server software; no data drives	Small Form Factor	None	NESA-SF000D-N00
	1U Rack-Mount	None	NESA-1U000D-N04

Nucleus Server: Small Form Factor Model

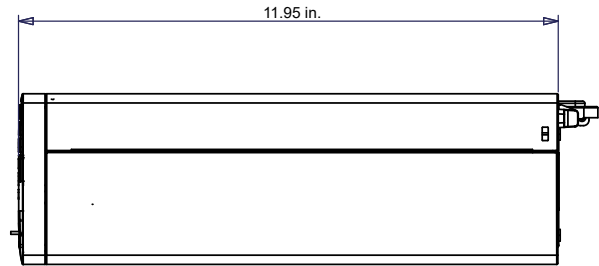
Includes five year NBD onsite KYHD (Keep Your Hard Drive) warranty with UL/FCC/CE and other required certifications.

Model Name	Storage
Intel i5 System	
NESA-SF000D-N00	No storage

Dimensional Drawing

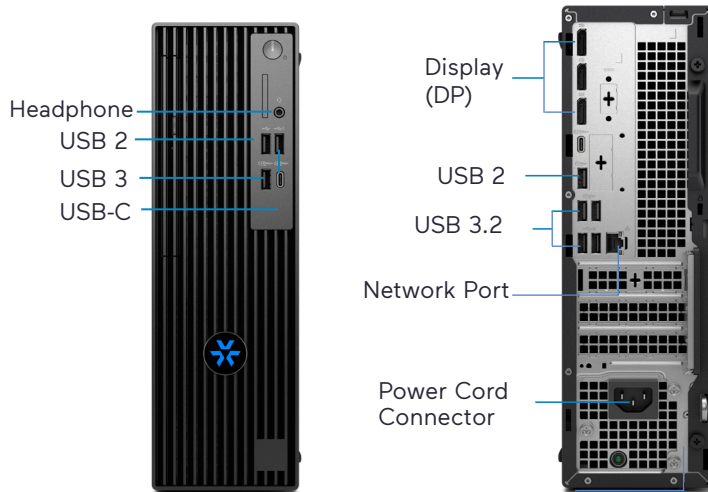


FRONT VIEW



SIDE VIEW

Front and Rear Panel Controls and Connectors*



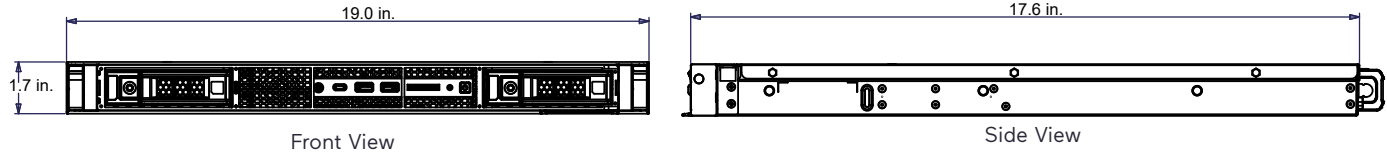
*These drawings are for reference only. The actual video and networking ports may differ but will be similar.

Nucleus Server: 1U Rack-Mount Model

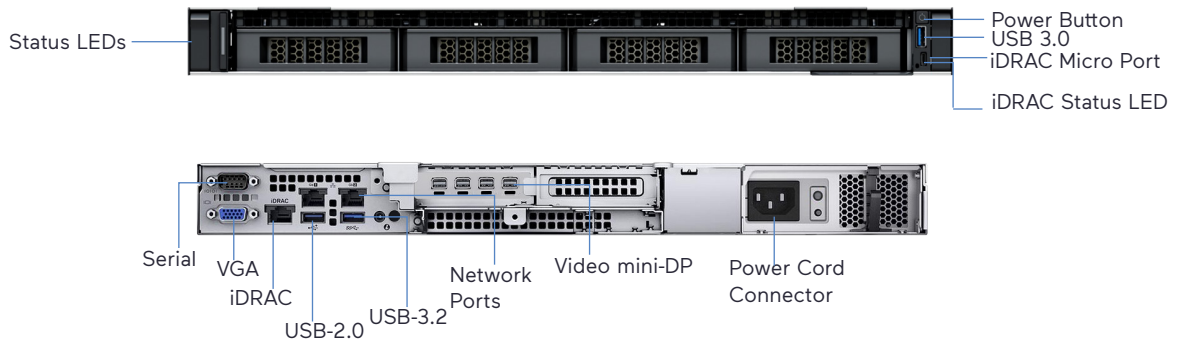
Includes five year NBD onsite KYHD (Keep Your Hard Drive) warranty with UL/FCC/CE and other required certifications.

Model Name	Storage
Intel Xeon System; Four Video Out	
NESA-1U000D-N04	No storage

Dimensional Drawing



Front and Rear Panel Controls and Connectors*



*These drawings are for reference only. The actual video and networking ports may differ but will be similar